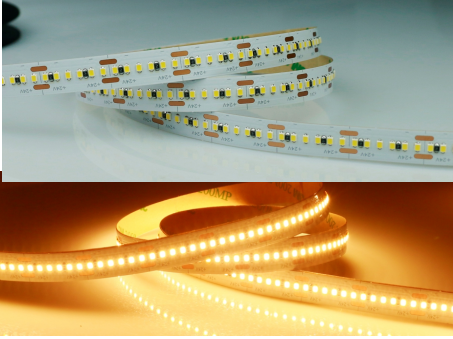


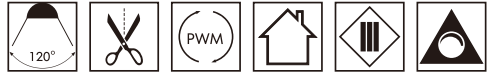
Charminglite

SMD2216 Flexible LED Strip



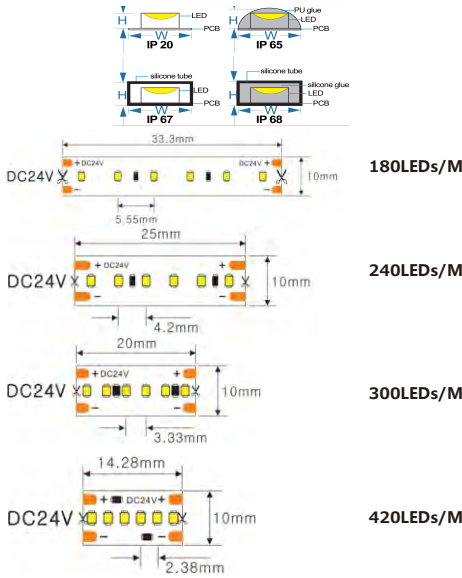
- *SMD2216 with low power consumption and Super brightness
- *Available in color temperature from 2000-6500K
- *LED flexi-strip with 3M self-adhesive tape
- *LED quantity can be special customized
- *PCB can be special customized
- *SDCM < 3 version is available
- *High density, no darkness.

CCT: 2000K-6500K CRI: >80/90/95 SDCM < 6



RoHS

ErP



Application

Part No.	Voltage	Wattage	PCB Width	LED Qty/M	Cutting Intervals	Color Temp.	Light Output @6500K IP20	CRI	Standard Length
CL-LS2216-120	24V DC	9.6W/M	10MM	120LEDs/M	50mm(24V)	2700/3000/4000/5000/6500K	960LM/M	80/90/95	5 Meters/Reel
CL-LS2216-180	24V DC	14.4W/M	10MM	180LEDs/M	33.3mm(24V)	2700/3000/4000/5000/6500K	1440LM/M	80/90/95	5 Meters/Reel
CL-LS2216-240	24V DC	19.2W/M	10MM	240LEDs/M	25mm(24V)	2700/3000/4000/5000/6500K	1920LM/M	80/90/95	5 Meters/Reel
CL-LS2216-300	24V DC	24W/M	10MM	300LEDs/M	20mm(24V)	2700/3000/4000/5000/6500K	2000LM/M	80/90/95	5 Meters/Reel
CL-LS2216-420	24V DC	28W/M	15MM	420LEDs/M	14.28mm(24V)	2700/3000/4000/5000/6500K	2400LM/M	80/90/95	5 Meters/Reel